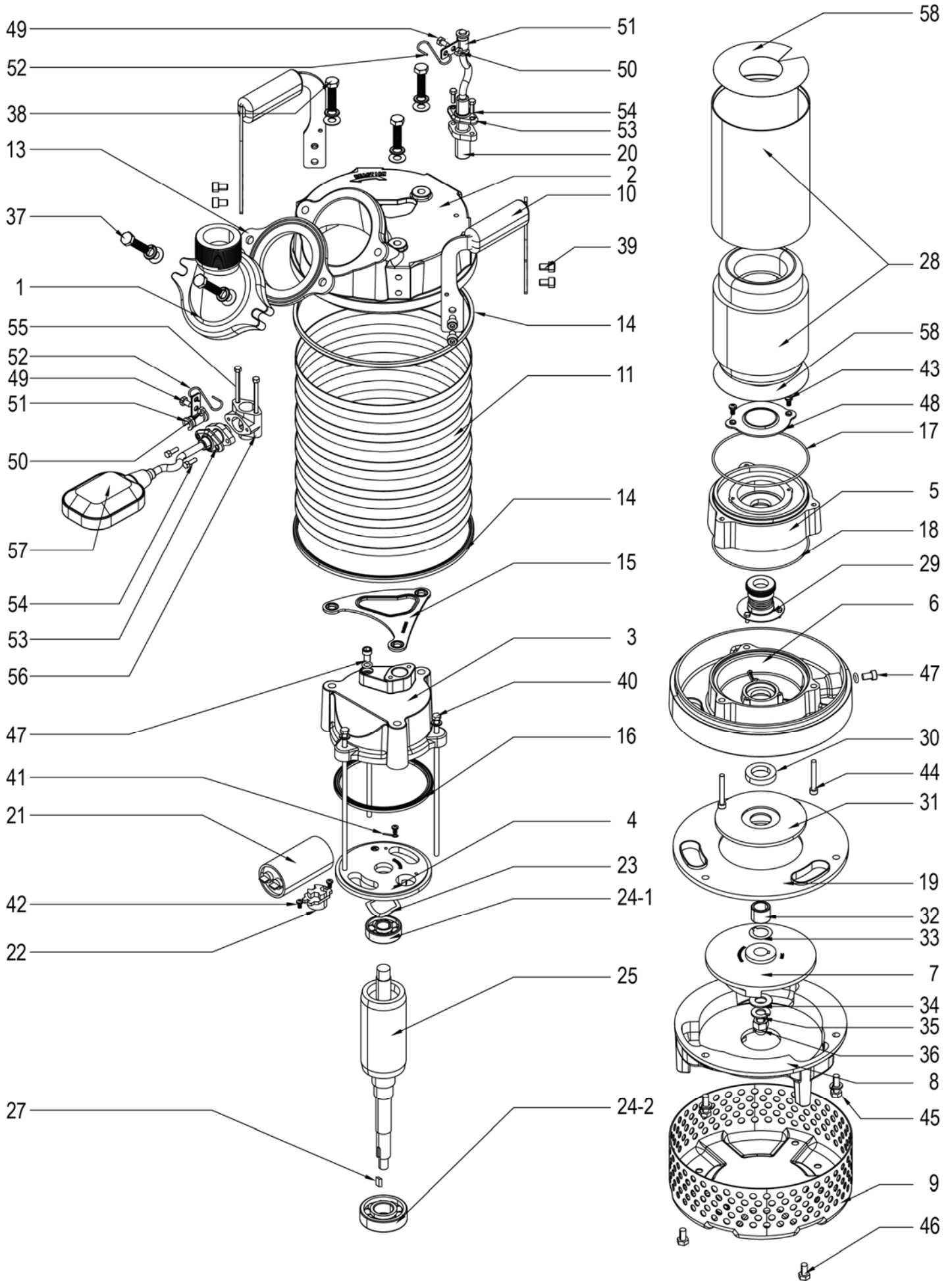


# Construction

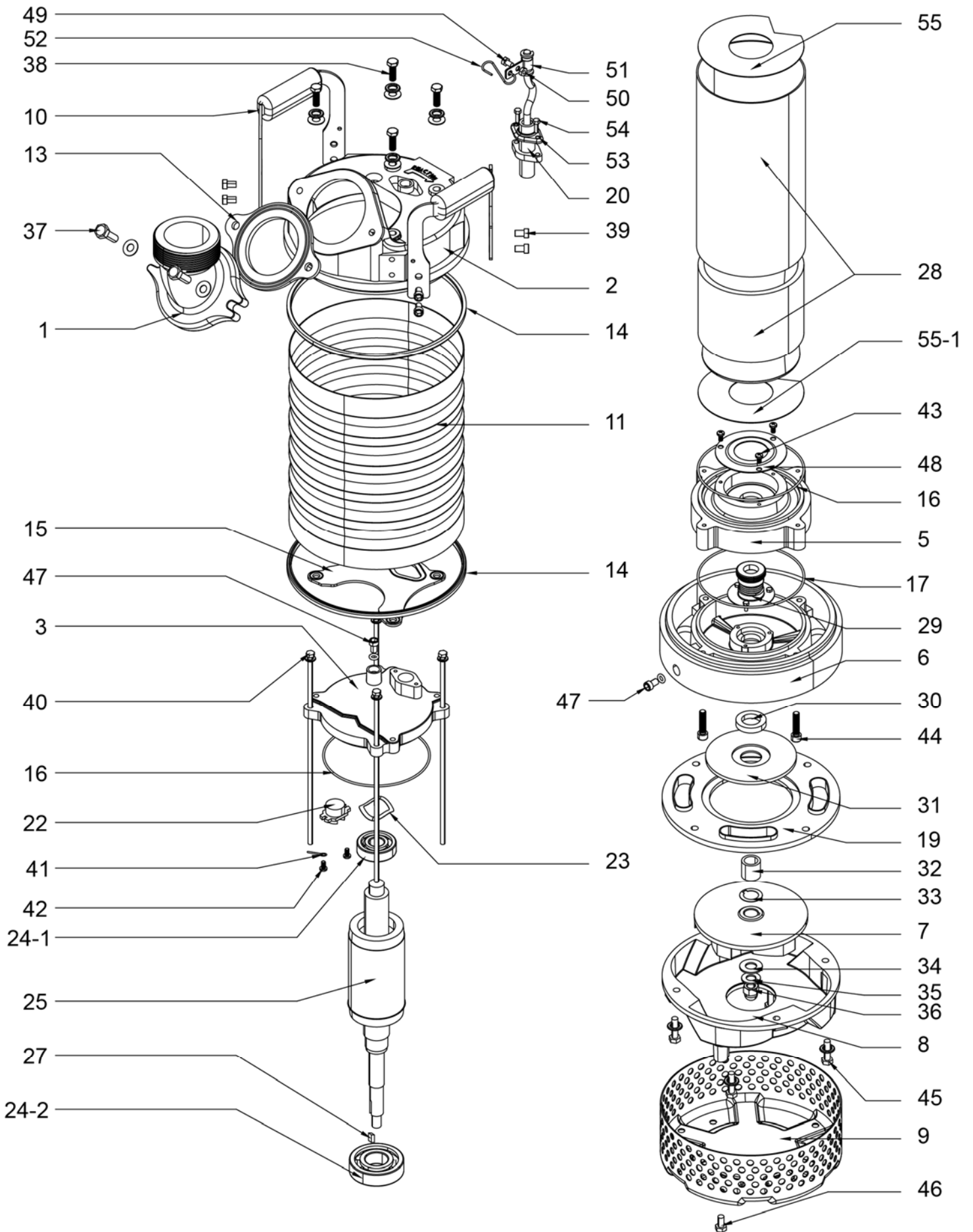


**EUB-M 2~3HP**

NO	Part	Material	NO	Part	Material
01	Discharge 2" / 3"	AlSi7Mg	31	Wearing Plate	PA66
02	Upper Cover	AlSi7Mg	32	Shaft Protect Sleeve	AISI 304
03	Motor Cover	AlSi7Mg	33	Adjust Washer	AISI 304
04	Upper Bearing Bracket	EN-GJL-200	34	Plain Washer	AISI 304
05	Lower Bearing Bracket	AlSi7Mg	35	Spring Washer	AISI 304
06	Seal Bracket	AlSi7Mg	36	Nut	AISI 304
07	Impeller	High Chrome Steel	37	Screw / Washer	AISI 304
08	Pump Casing	EN-GJL-200	38	Screw/Spring Washer/Washer	AISI 304
09	Strainer	AISI 304	39	Screw	AISI 304
10	Handle	Steel/ NBR	40	Screw	AISI 304
11	Outer Casing	AISI 304	41	Screw/Earth Lead	SC
13	Discharge Gasket	NBR	42	Screw	SC
14	Outer Casing Gasket	NBR	43	Screw	SC
15	Upper Cover Gasket	NBR	44	Screw	AISI 304
16	Motor Cover Gasket	NBR	45	Screw	AISI 304
17	O-Ring	NBR	46	Screw	AISI 304
18	O-Ring	NBR	47	Screw / 3.5x10 O ring	AISI 304
19	Volute Liner	NBR	48	Bearing Holder	SC
20	Power Cable	H07RN-F /SJTOW/STOW	49	Screw	AISI 304
21	Capacitor (2HP 1 Phase)	-	50	Nut	AISI 304
22	Protector (3 Phase)	KLIXON	51	Cable Seat	AISI 304
23	Wave Washer	SC	52	Cable Seat Hanger	AISI 304
24-1	Upper Bearing	NTN/TPI	53	Cable Holder	AISI 304
24-2	Lower Bearing	NTN/TPI	54	Screw	AISI 304
25	Rotor & Shaft	AISI 410	55	Screw	AISI 304
27	Shaft Key	AISI 304	56	Three-way Connector	NYLON PA66
28	Stator & Motor Housing	AISI 304 & STEEL	57	Float Switch (2HP 1 Phase)	-
29	Mechanical Seal	Upper: CA/CE Lower: SIC/SIC	58	Insulation Sheet	PAPER
30	Lip Seal	NBR		R32 Lubricant - 420cc	-

TPI is a family brand of NTN group.

# Construction



**EUB-M 5HP**

NO	Part	Material	NO	Part	Material
01	Discharge 3" / 4"	AlSi7Mg	32	Shaft Protect Sleeve	AISI 304
02	Upper Cover	AlSi7Mg	33	Adjust Washer	AISI 304
03	Motor Cover	AlSi7Mg	34	Plain Washer	AISI 304
05	Lower Bearing Bracket	AlSi7Mg	35	Spring Washer	AISI 304
06	Seal Bracket	AlSi7Mg	36	Nut	AISI 304
07	Impeller	High Chrome Steel	37	Screw / Washer	AISI 304
08	Pump Casing	EN-GJL-200	38	Screw/Spring Washer/Washer	AISI 304
09	Strainer	AISI 304	39	Screw	AISI 304
10	Handle	Steel/NBR	40	Screw / Spring Washer / Washer	AISI 304
11	Outer Casing	AISI 304	41	Screw/Earth Lead	SC
13	Discharge Gasket	NBR	42	Screw	SC
14	Outer Casing Gasket	NBR	43	Screw	SC
15	Upper Cover Gasket	NBR	44	Screw	AISI 304
16	O-Ring	NBR	45	Screw	AISI 304
17	O-Ring	NBR	46	Screw	AISI 304
19	Volute Liner	NBR	47	Screw / 3.5x10 O ring	AISI 304
20	Power Cable	H07RN-F /SJTOW/STOW	48	Bearing Holder	SC
22	Protector (3 Phase)	KLIXON	49	Screw	AISI 304
23	Wave Washer	SC	50	Nut	AISI 304
24-1	Upper Bearing	NTN/TPI	51	Cable Seat	AISI 304
24-2	Lower Bearing	NTN/TPI	52	Cable Seat Hanger	AISI 304
25	Rotor & Shaft	AISI 410	53	Cable Holder	AISI 304
27	Shaft Key	AISI 304	54	Screw	AISI 304
28	Stator & Motor Hosing	AISI 304 & STEEL	55	Insulation Sheet	PAPER
29	Mechanical Seal	Upper: CA/CE Lower: SIC/SIC	55-1	Insulation Sheet	PAPER
30	Lip Seal	NBR		R32 Lubricant - 440cc	-
31	Wearing Plate	PA66			

TPI is a family brand of NTN group.